



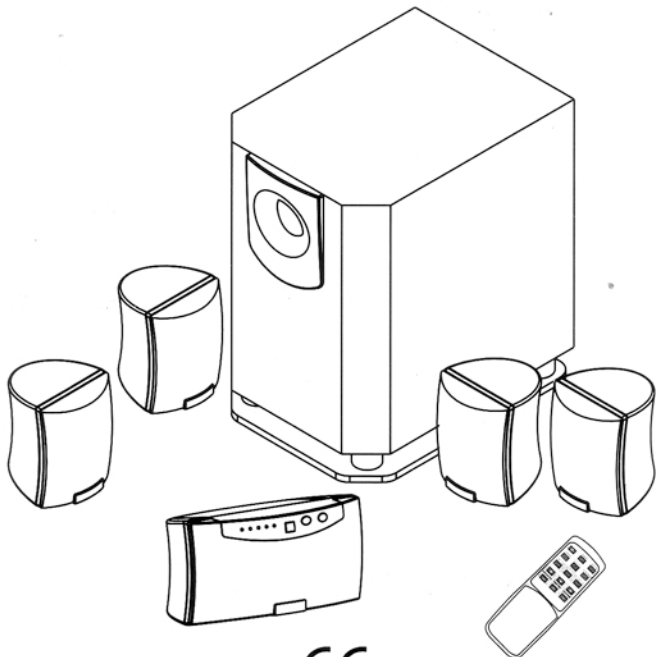
**KINYO**

# 5.1 HOME THEATER

**SPEAKER SYSTEM**

***User's Guide***

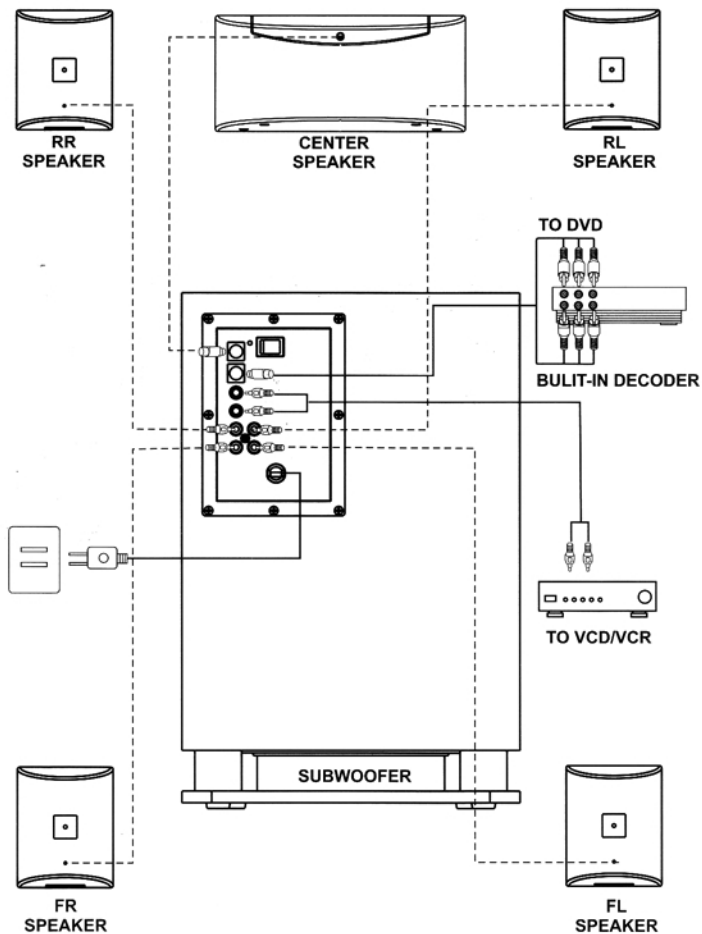
MODEL NO: VS-500R



**CE**

Please read and understand all safety instructions before use.

## 5.1 Home Theater Speakers LOCATION OF CONTROLS



## A. CONNECTING SUBWOOFER TO SATELLITE SPEAKERS:

1. Connect RCA jacks of the right rear surround speaker to the right rear surround channel RCA socket of the subwoofer.
2. Connect RCA jacks of the right speaker to the right channel RCA socket of the subwoofer.
3. Connect RCA jacks of the left rear surround speaker to the left rear surround channel RCA socket of the subwoofer.
4. Connect RCA jacks of the left speaker to the left channel RCA socket of the subwoofer.
5. Connect mini jacks of the center speaker to the center channel mini socket of the subwoofer.

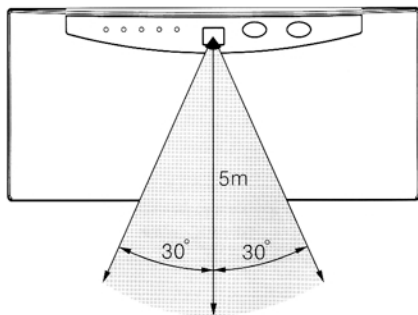
## B. CONNECTING AUDIO SIGNAL TO CONTROL UNIT:

1. Use the G9 cable for audio signal input. Connect one end of the G9 cable to the audio source and the other end to the control unit.
2. Use the RCA cable to input analog stereo audio signals.

## D. CONNECTING POWER TO THE SYSTEM:

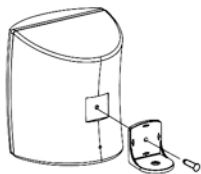
Connect the subwoofer's AC plug to the electrical wall outlet directly.

## ACCEPTABLE RANGE OF REMOTE CONTROLLER:

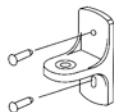


Depending on the environment, satellite speakers(center,left,right,rear left, and rear right)can be placed on the wall or desktop. Please try a variety of positions unit the best possible sound effect is achieved.

### J-22 SETTING INSTRUCTION-1



1

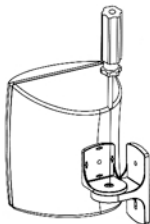


2

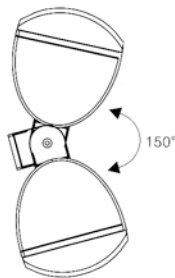


3

### J-22 SETTING INSTRUCTION-2

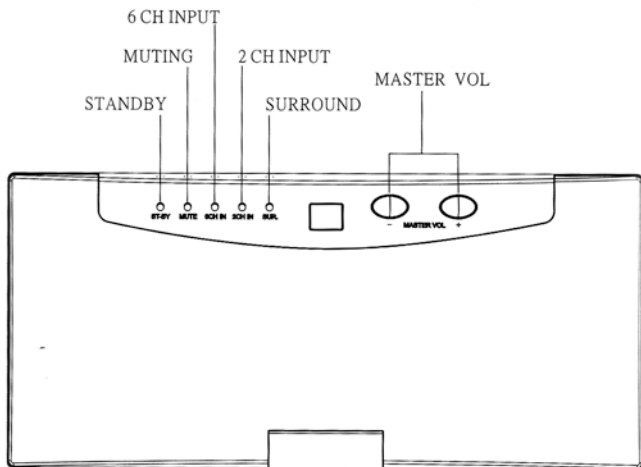


1



2

## CONTROL UNIT FUNCTIONS (FRONT PANEL):



**STANDBY LED INDICATOR:** This LED indicates the system is in standby mode. When making functional adjustments the LED will flash. This LED will light up when the volume is adjusted to either maximum or minimum, indicating the volume level cannot be further increased or decreased.

**MUTE LED INDICATOR:** This LED will flash when in mute mode and the LED light will be turned off when not in mute mode.

**6 CH INPUT LED INDICATOR:** This LED indicates the system is in 6-channel input mode.

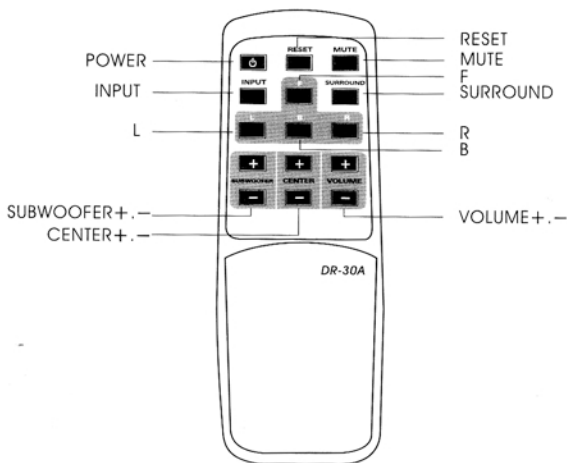
**2 CH INPUT LED INDICATOR:** This LED indicates the system is in 2-channel input mode.

**SURROUND LED INDICATOR:** This LED will light up when in 2CH input mode. (This function does not operate upon 6CH input.)

**MASTER VOL +:** Press this key to increase master volume level / STANDBY ON

**MASTER VOL -:** Press this key to decrease master volume level / STANDBY ON

## REMOTE CONTROL FUNCTIONS:



**POWER:** Press this key to operate standby on / off

**RESET:** In the 6CH mode, press this key and the volume in each audio channel will return to its default value. In the 2CH mode, press this key and it will erase the SURROUND effect and return to its default value.

**MUTE:** Press this key to turn mute on and off.

**SURROUND:** Before operating this function, make sure the system is in the 2CH mode. Otherwise it will not function when the key is pressed.

**INPUT:** Press this key for 6CH / 2CH switschover.

**"F"BUTTON:** In the 6CH mode, press this key and the volume level on center, front left, and front right channel will increase and volume level on the rear left and rear right SURROUND channel will decrease.

In the 2CH mode, press this key when SURROUND is on, the volume level on the center, front left, and front right channel will increase and the volume level on the rear left and rear right SURROUND channel will decrease. When the SURROUND mode is off, press this button the volume level on center, front left and front right channel will increase and the volume will be turned off on rear left and rear right SURROUND channel.

**"B"BUTTON:**In the 6CH mode, press this key and the volume level on center, front left, and front right channel will decrease and volume level on the rear left and rear right SURROUND channel will increase.

In the 2CH mode, press this key when SURROUND is on, the volume level on the center, front left, and front right channel will decrease and the volume level on the rear left and rear right SURROUND channel will increase. When the SURROUND mode is off, press this button the volume level on center, front left and front right channel will decrease and the volume will be turned off on rear left and rear right SURROUND channel.

**"L"BUTTON:**In the 6CH mode, press this key and the volume level on the front left and rear left SURROUND channel will increase. The volume on the front right and rear right SURROUND channel will decrease, and the center channel will not be affected.

In the 2CH mode, press this key when SURROUND is on, the volume on the front left and rear left channel will increase and the front right channel and rear right SURROUND channel will decrease.

Press this key when SURROUND is off and the volume on the front left channel will increase, and the front right channel will decrease. The rear left and rear right SURROUND channel will have no output.

**"R"BUTTON:** In the 6CH mode, press this key and the volume on the front left channel and the rear left SURROUND channel will decrease. The front right channel and the rear right SURROUND channel will increase. The center channel will not be affected.

In the 2CH mode, press this key when SURROUND is on, the volume on the front right channel and the rear right SURROUND channel will increase and volume on the front left channel and the rear left SURROUND channel will decrease.

Press this key when SURROUND is off, the volume on the front right channel will increase and the front left channel will decrease, and the rear left and rear right SURROUND channel will have no output.

**SUBWOOFER +:** Press this key to increase the subwoofer volume level.

**SUBWOOFER -:** Press this key to decrease the subwoofer volume level.

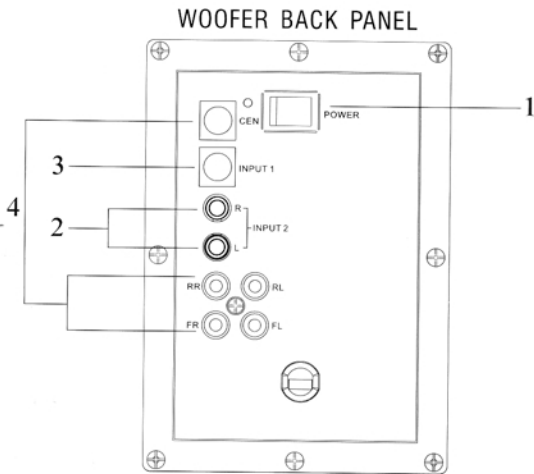
**CENTER +:** Press this key to increase the center volume level.

**CENTER -:** Press this key to decrease the center volume level.

**MASTER VOL +:** Press this key to increase the master volume level.

**MASTER VOL -:** Press this key to decrease the master volume level.

# CONTROL UNIT CONNECTIONS (BACK PANEL):



- 1).POWER
- 2).LEFT/RIGHT CHANNEL STEREO EFFECT (ANALOG) INPUT
- 3).6 CHANNEL INPUT
- 4).5 CHANNEL OUTPUT

# TROUBLESHOOTING AND SUPPORT

This appendix describes basic troubleshooting to help you solving problems, you might have with the 5.1 Home theater Speaker System. Care and cleaning information, as well as Technical Support information are also provided.

This section lists common questions and answers to installation and connection problems you may experience with the 5.1 Home Theater speaker System if applying these methods does not solve the problem, contact Technical Support for further assistance.

<b>Problem</b>	<b>Cause</b>	<b>Remedy</b>
<b>No Sound</b>	Speakers not properly connected	Check cables for short or open connections
	incorrect input mode	Select proper audio source (Digital or Analog)
	Amplifier is off/malfunction	Check your amplifier
<b>Weak sound</b>	Volume control down	Turn volume control up
	Speak cable shorted or have broken strands	Check cables
<b>Buzzing sound</b>	Speaker cable (wire) short	Check cable wiring
<b>No balance control</b>	Check balance control setting	Adjust balance control
<b>Excessive Highs or lows</b>	Speaker out of circuit	Check speaker

Note: 1.The amplifier is assumed to work properly.

2. It is a normal condition to have low humming noise from the subwoofer if the power is left on .

## SPECIFICATIONS

### ⊙ Remote Controller (DR-30A)

### ⊙ Satellite, Surround Speakers:

- 7 Watts RMS each
- 3" Full Range Speaker+1" Tweeter Speaker
- 120Hz~20KHz Frequency Response
- Impedance 4Ω
- Dimensions:W120 X H150 X D130mm ( 4 3/4 X 5 7/8 X 5 1/8 inch )

### ⊙ Center Speaker:

- LED Display
- Remote Control Receiver
- Volume+, Volume— Controls
- 7 Watts RMS each
- 3" Full Range Speaker x 2
- 120Hz~20KHz Frequency Response
- Impedance 4Ω
- Dimensions:W280 X H130 X D130mm ( 11 X 5 1/8 X 5 1/8 inch )

### ⊙ Subwoofer:

- Audio Input:
- Analog: stereo RCA X 2  
G9 X 1
- Output:  
RCA: FL, FR, RL, RR, CEN Channels
- 6 1/2" Woofer 50Watts RMS
- 70 Hz~300Hz L. F. E.
- Impedance 4Ω
- Power, Power LED
- Dimensions: W260 X H391 X D354mm ( 10 1/4 X 15 3/8 X 14 inch )