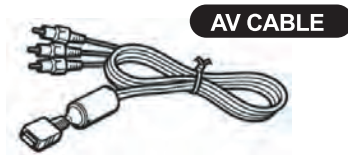
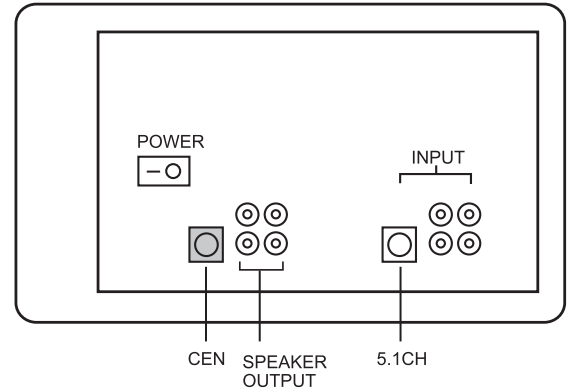


GAME CONSOLE(S) to GZ-501

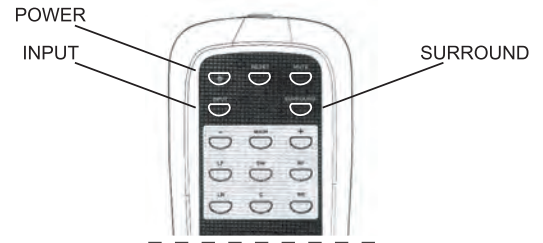
- 1** Plug the flat end of the game console AV cable (included in any game console box) into the game console. And plug the White & Red RCA end into GZ-501 subwoofer "input2", Yellow to TV.
- 2** If the game console and the subwoofer are too far away from each other, a 5-foot long extension White+Red female-male cable is included in the GZ-501 box for easy connection.
- 3** Plug center speaker (green 9-pin din) into the green slot and plug 4 satellite speakers into the same color schemes on the back of the subwoofer.
- 4** After Turning on the speaker (from the back of the subwoofer), 1 blue light will lit (stand-by mode)
- 5** Use the remote, press POWER to turn the whole system on, 2 blue lights will lit
- 6** Use the remote, press INPUT button to select "input 2" (from center speaker, blue light).
- 7** Use the remote, press SURROUND to make 5.1 surround.
- 8** (optional) for the second game console, plug the R & W cable into "input 3" from the back of the woofer and repeat the steps above.



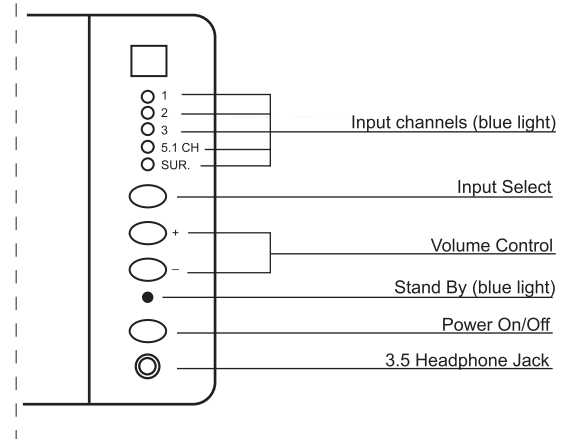
WOOFER BACK PANEL



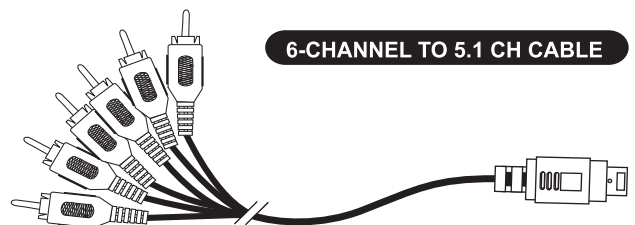
REMOTE CONTROL PANEL



CENTER SPEAKER PANEL



6-CHANNEL TO 5.1 CH CABLE



DVD Player to GZ-501

- 1** Find the "6-channel to 5.1CH" cable from GZ-501 box
- 2** Plug the 5.1CH end (9-pin din) into "input 1" from back of subwoofer; then plug the 6-channel RCA plugs into Built-in Decoder from back of DVD player; follow the initial on each cable (e.g W-subwoofer, C-center, RS-right rear surround, LS- right front surround, L-[front] left & R-[rear] right)
- 3** Make sure to adjust the AUDIO control from the SETTING/MENU of the DVD player to 5.1 surround. (if available from your DVD player)
- 4** Use GZ-501 remote INPUT button to switch to "input 1" to activate the speakers